



**Combined Cutter/Vegetable slicer
Combined Vegetable Slicer/Cutter Mixer
2.7 quarts, copolyester - Single Speed -
US plug - 4 discs+grid cleaner - EURODIB**

ITEM # _____
 MODEL # _____
 NAME # _____
 SIS # _____
 AIA # _____



602301 (DCOM26PD4US) Combined Vegetable Slicer and Cutter Mixer 2.6LT/2.8 qt, with transparent copolyester bowl, single speed, dicing discs included: grater 2mm, slicer 4mm, aluminium slicer 10mm, grid 10X10mm, grid cleaning tool, NEMA 5-15P plug-Eurodib

Short Form Specification

Item No. _____

Combined Vegetable Slicer and Cutter Mixer with 2,6 litres/2.8 qt, copolyester bowl. Vegetable slicer ensures consistent cutting results thanks to the design patented lever-pusher. Constructed in a sturdy plastic material. 1.32 quarts large transparent half-moon hopper. Vegetables can be fed directly into the half moon hopper, a pusher presses the vegetables against the cutting discs ensuring an even cut in minimal time. 2 small hoppers for precise cuts on long vegetables dia. 2 11/64" (55mm) or 1" (25mm). Ideal for grating, slicing/wavy slice, julienne and dicing. Including: slicer 5/32" (4mm), grater 5/64" (2mm), aluminium slicer 3/8" (10mm), grid 3/8"X3/8" (10X10mm), grid cleaning tool. A safety micro switch stops the blade when the feed hopper is opened.

Cutter Mixer transparent copolyester lid with scraper and central feed hole for adding products in mid-cycle. Fine

serrated blade rotor. Angled blades and conical base of the bowl ensure consistent mixing. All ingredients are processed evenly and quickly thanks to a special flow generated inside the bowl. No-volt release system prevents accidental start of the appliance. All parts in contact with food are removable and Dishwasher safe. Watertight, easy to clean, flat, soft-touch buttons. Single speed 1800 rpm with on/pulse/off function for simple operations.

APPROVAL: _____

**Combined Cutter/Vegetable slicer
Combined Vegetable Slicer/Cutter Mixer 2.7 quarts, copolyester -
Single Speed - US plug - 4 discs+grid cleaner - EURODIB**



**Combined Cutter/Vegetable slicer
Combined Vegetable Slicer/Cutter Mixer 2.7
quarts, copolyester - Single Speed - US
plug - 4 discs+grid cleaner - EURODIB**

Main Features

- Combined appliance with two functions: vegetable slicer and cutter mixer.
 - Equipped with vegetable slicer attachment for slicing, grating, shredding (julienne) as well as dicing and French fries cutting.
 - Cutter mixer and emulsifier function included, for fast chopping, mixing, mincing, griding, liquidizing and kneading.
 - Equipped with half moon hopper (1.32 qt capacity) and 2 small round feed chutes: 1" (25mm) and or 2 11/64" (55mm), for precise slicing of long shaped vegetables.
 - Uniform cuts and maximized load capacity, thanks to the design patented lever-pusher.
 - Large output chute for efficient ejection. Fits up to 7 3/4" high standard kitchen containers (like GN) under the output chute.
 - Continuous feed model.
 - Pulse function for quick and precise slicing and grating.
 - Ergonomical frontal lever, suitable for left handed and right handed operators.
 - Vegetable slicer blade stops when lever pusher is lifted for operator safety.
 - Optional discs available of various sizes for slicing, grating and shredding.
 - Bowl/lid scraper included for uniform smooth results (emulsifying) and continuous working.
 - Transparent lid, with funnel shaped hole, to add ingredients during use.
 - All ingredients are processed evenly and quickly thanks to a special movement generated inside the bowl.
 - Pulse function to coarse chopping.
 - Easy to clean and watertight control panel with on/off button and pulse function.
 - All parts in contact with food are removable without the use of tools, completely dismountable and dishwasher safe.
 - Productivity: up to 100 settings per service for vegetable slicer, up to 50 settings per service for cutter mixer function.
 - ErgoCert 4-star certification for ergonomic design and ease of use.
 - Flexibility for high quality cuts: 9-level variable speed can be adjusted according to consistency of ingredients.
 - Automatic speed limitation according to the selected function (slicer or cutter).
 - Includes 3.8 quart stainless steel bowl with micro-toothed blades rotor.
 - Includes 2.7 quart transparent bowl with micro-toothed blades rotor.
- Model includes 2 discs: 5/64" (2mm) grater, 5/32" (4mm) slicer.





**Combined Cutter/Vegetable slicer
Combined Vegetable Slicer/Cutter Mixer 2.7
quarts, copolyester - Single Speed - US
plug - 4 discs+grid cleaner - EURODIB**

Construction

- Transparent copolyester bowl
- Microtoothed blades in 420 AISI stainless steel and ergonomic scraper in high resistant composite material to ensure consistent mixing.
- IPX5 (IP55) flat panel touch-control, watertight panel.
- Main switch ON/OFF on the back of the appliance.
- Asynchronous industrial motor with no brushes for high reliability and quiet functioning, stainless steel motor shaft.
- Food safety assured thanks to BPA-free materials and compliance with NSF standards.
- Product safety in accordance with international and UL standards.
- 1 speed: 1800 rpm.
- Motor power: 1 1/3 HP / 1000 Watt
- 1 speed: 1800 rpm.
- Motor power: 1 HP / 750 Watt.

Included Accessories

- 1 of Stainless steel grating disc 2 mm (dia. 175mm) PNC 650198
- 1 of Transparent copolyester bowl for 2,6lt Cutter Mixer PNC 650229
- 1 of Ejector for Vegetable Slicer PNC 650232
- 1 of Stainless steel slicing disc 4 mm (dia. 175mm) PNC 650237

Optional Accessories

- Cleaning tool for TRS, TRK & TR210 3/16-5/16-3/8 in (5-8-10 mm) dicing grids PNC 650110
- Transparent lid for 2,6lt Cutter Mixer bowl PNC 650117
- Transparent lid without sealing for 3,6lt Cutter Mixer bowl (1 speed models) PNC 650118
- 3 DISCS SET TRK1 (5/64" SLICER, 3/16" SLICER, 1/8" GRATER) PNC 650196
- 6 DISCS SET (5/64" SLICING, 3/16" SLICING, 1/8" GRATING, 9/32" GRATING, 3/8" SLICER, 3/8"x3/8" GRID) PNC 650197
- Stainless steel grating disc 2 mm (dia. 175mm) PNC 650198
- Stainless steel grating disc 3 mm (dia. 175mm) PNC 650199
- STAINLESS STEEL GRATING DISC 5/32" (4 MM) PNC 650205
- Stainless steel grating disc 7 mm (dia. 175mm) PNC 650207
- PARMESAN DISC PNC 650208
- Stainless steel shredding disc 2 mm (dia. 175mm) PNC 650209

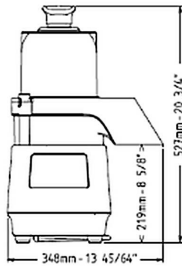
- Stainless steel shredding disc 4 mm (dia. 175mm) PNC 650210
- STAINLESS STEEL JULIENNE DISC 5/16" (8 MM) FOR FRENCH FRIES PNC 650211
- Stainless steel slicing disc 1 mm (dia. 175mm) PNC 650213
- Stainless steel slicing disc 2 mm (dia. 175mm) PNC 650214
- STAINLESS STEEL SLICING DISC 1/8" (3 MM) PNC 650215
- Stainless steel slicing disc 5 mm (dia. 175mm) PNC 650216
- Stainless steel slicing disc 6 mm (dia. 175mm) PNC 650217
- STAINLESS STEEL WAVY SLICING DISC 1/8" (3 MM) PNC 650218
- STAINLESS STEEL WAVY SLICING DISC 3/16" (5 MM) PNC 650219
- Aluminum slicing disc 8 mm (dia. 175mm) PNC 650220
- Aluminum slicing disc 10 mm (dia. 175mm) PNC 650221
- Dicing grid 8x8 (dia 175mm) PNC 650222
- Dicing grid 10x10 (dia 175mm) PNC 650223
- DICING KIT 5/16" - ALUMINUM SLICER 5/16", GRID 5/16"x5/16" (8X8MM) PNC 650224
- DICING KIT 3/8" - ALUMINUM SLICER 3/8", GRID 3/8"x3/8" (10X10 MM) PNC 650225
- Fine serrated blade rotor for 2.6lt Cutter Mixer PNC 650226
- SMOOTH BLADE ROTOR FOR 2.7QT CUTTER MIXER PNC 650227
- Stainless steel bowl for 2,6lt Cutter Mixer PNC 650228
- Transparent copolyester bowl for 2,6lt Cutter Mixer PNC 650229
- Scraper for 2.6lt Cutter Mixer bowl PNC 650230
- Stainless steel bowl for 2,6lt Cutter Mixer, fine serrated rotor, lid with scraper PNC 650231
- Ejector for Vegetable Slicer PNC 650232
- Fine serrated blade rotor for 3.6lt Cutter Mixer PNC 650233
- SMOOTH BLADE ROTOR FOR 3.8QT CUTTER MIXER PNC 650234
- Stainless steel bowl for 3.6lt Cutter Mixer PNC 650235
- Scraper for 3.6lt Cutter Mixer bowl PNC 650236
- Stainless steel slicing disc 4 mm (dia. 175mm) PNC 650237



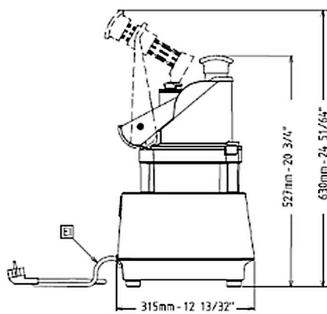


**Combined Cutter/Vegetable slicer
Combined Vegetable Slicer/Cutter Mixer 2.7
quarts, copolyester - Single Speed - US
plug - 4 discs+grid cleaner - EURODIB**

Front

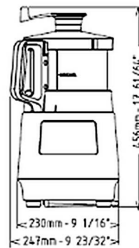


Side



EI = Electrical connection

Rear side



Electric

Supply voltage:	115 V/1N ph/60 Hz
Electrical power, max:	1 kW
Plug type:	USA NEMA 5-15P

Key Information:

External dimensions, Width:	13 11/16" (348 mm)
External dimensions, Depth:	12 3/8" (315 mm)
External dimensions, Height:	20 3/4" (527 mm)
Shipping width:	15 3/4" (400 mm)
Shipping depth:	23 5/8" (600 mm)
Shipping height:	19 11/16" (500 mm)
Shipping weight:	49 lbs (22 kg)
Approvals	ErgoCert 4*
Capacity:	2.6 kg



Combined Cutter/Vegetable slicer
Combined Vegetable Slicer/Cutter Mixer 2.7 quarts, copolyester -
Single Speed - US plug - 4 discs+grid cleaner - EURODIB
The company reserves the right to make modifications to the products
without prior notice. All information correct at time of printing.